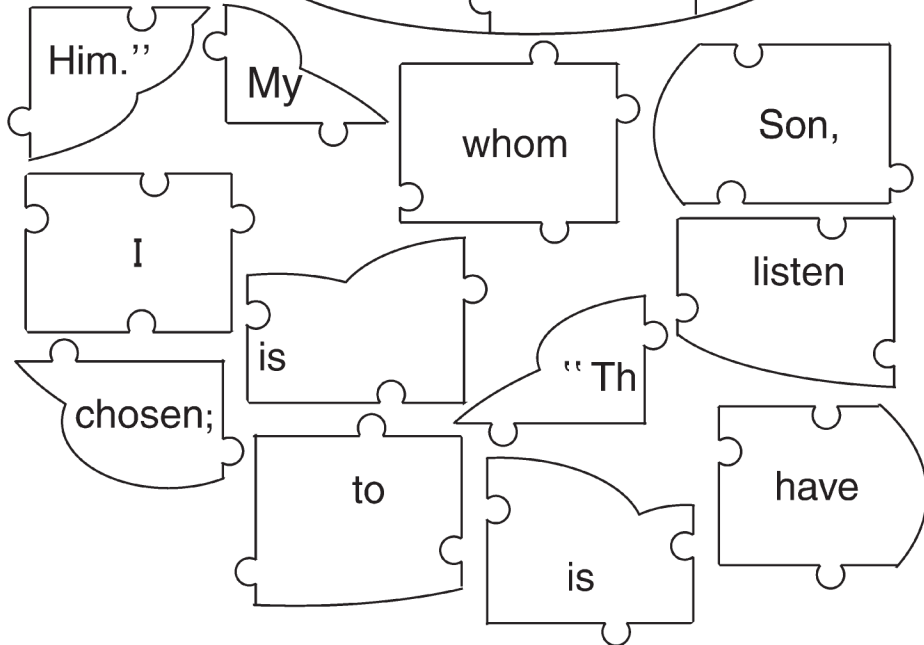
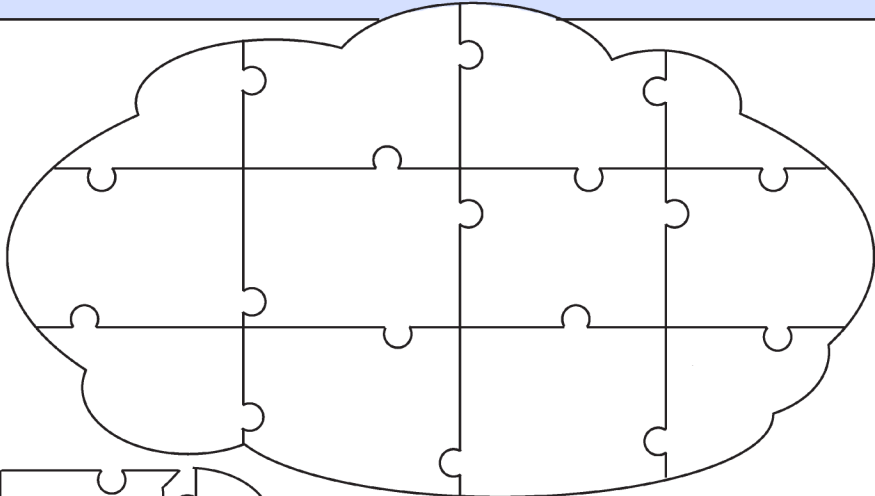


While He was speaking, a cloud appeared and covered them ...  
A voice came from the cloud.

Fit the pieces in the puzzle to find out what the voice said.



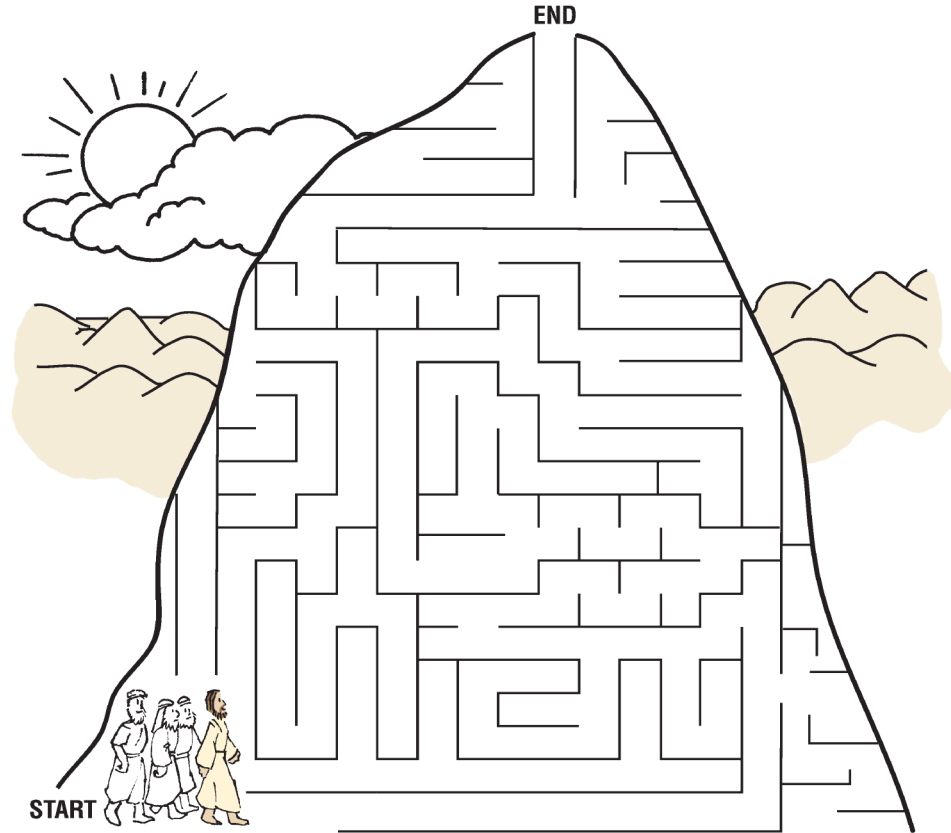
Ages 7+

March 17, 2019 • Luke 9:28-36

# Jesus Is Transfigured

Jesus took Peter, James and John with Him and went up onto a mountain to pray.

Find the route to the top of the mountain.



**Holy Family Parish**  
201 Clark Street  
Middletown OH 45042  
[www.holyfamilymiddletown.com](http://www.holyfamilymiddletown.com)

As Jesus was praying, something happened.

Use the code to find out what it was.

♡ = A	♡ = E	★ = I	☆ = M	⊖ = Q	□ = U	▣ = Y
♥ = B	♡ = F	☆ = J	★ = N	◐ = R	■ = V	◑ = Z
♡ = C	♡ = G	★ = K	○ = O	◑ = S	▤ = W	
♡ = D	☆ = H	★ = L	● = P	⊙ = T	▣ = X	



Code puzzle grid:

Row 1: ♡ ● ● ♡ ♡ ◐ ♡ ★ ♡ ♡

Row 2: ○ ♡ ☆ ★ ◐ ♡ ♡ ♡ ♡

Row 3: ♡ ☆ ♡ ★ ♡ ♡ ♡ ♡ ☆ ♡

Row 4: ☆ ★ ◐ ♡ ☆ ○ ⊙ ☆ ♡ ◐

Row 5: ♥ ♡ ♡ ♡ ☆ ♡ ♡ ♡

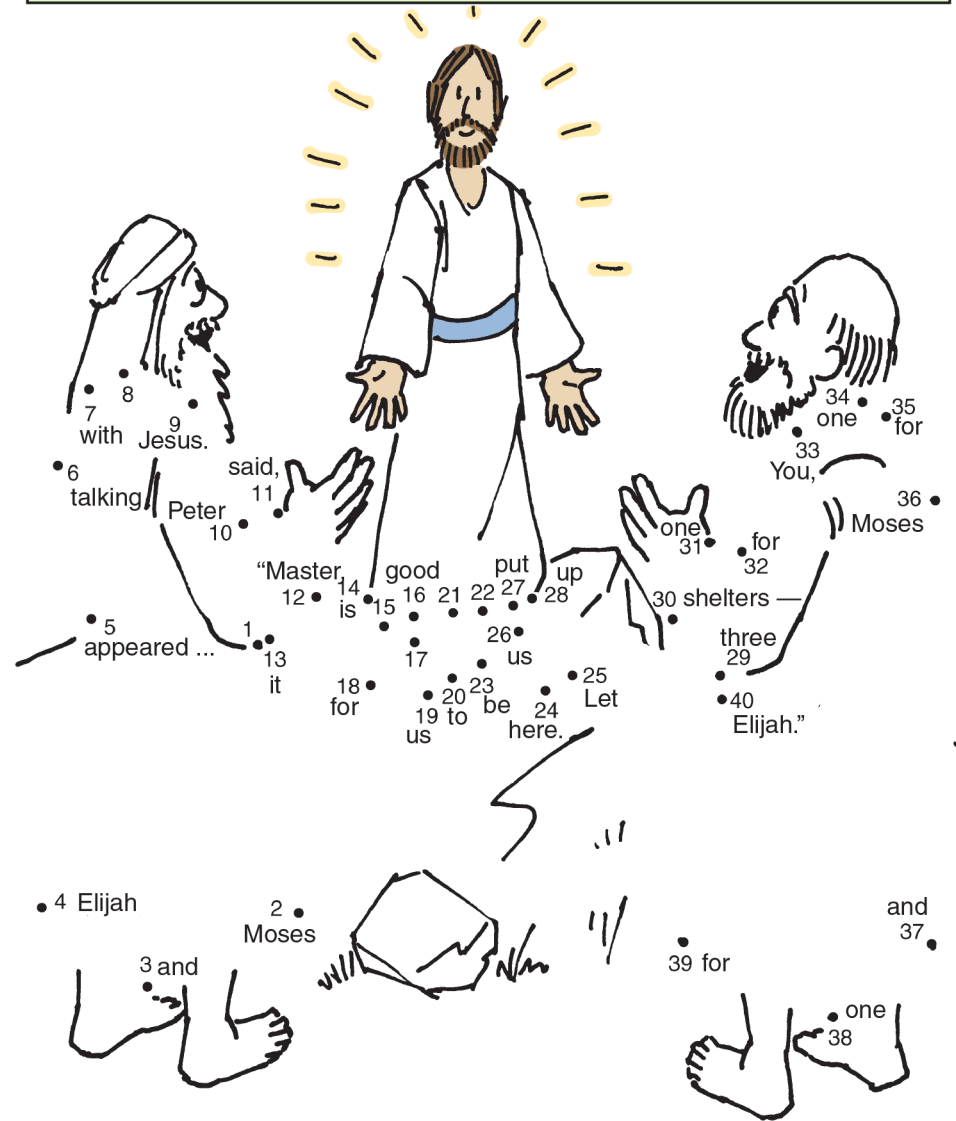
Row 6: ♥ ◐ ★ ♡ ☆ ⊙ ♡ ♡

Row 7: ♡ ♡ ☆ ♡ ◐ ☆ ○ ♡

Row 8: ☆ ★ ♡ ☆ ⊙ ☆ ★ ☆ ♡

What else happened?

Connect the dots. Write the words in order on the lines below.




---



---



---



---



---